

# DS-KIS901-P

Video Intercom Network Bundle UD183058



# DS-KH8350-WTE1

Video Intercom Network Indoor Station

ENGLISH

## Diagram References

### 1 Appearance

- ① Display Screen
- ② Microphone
- ③ Unlock Button
- ④ Loudspeaker
- ⑤ SD Card Slot
- ⑥ Debugging Port
- ⑦ Network Interface
- ⑧ Alarm Terminal

Note:

- The debugging port is used for debugging only.
- The Unlock key is valid only when does the indoor station speak with the door station or open the live view of the door station.

### 2 Wiring

There are 20 pins in the terminal on the rear panel of the indoor station 2 RS-485 pins, 2 power pins, 2 GND pins, 2 alarm output pins, 8 alarm input pins, and 2 reserved pins.

### 3 Installation

It supports wall mounting. There are two installation modes. The wall mounting plate is required to install the indoor station onto the wall. The dimension of wall mounting plate is shown.

Before you begin:

1. Tools that you need to prepare for installation: Make sure the device in the package is in good condition and all the assembly parts are included.
2. The power supply the indoor station supports is 12 VDC. Please make sure your power supply matches your indoor station.
3. Make sure all the related equipment is power-off during the installation.
4. Check the product specification for the installation environment.

### ★ Wall Mounting

1. Fix the wall mounting plate to the wall with 2 supplied screws.
2. IPut the indoor station on the holder of the wall mounting plate.

### 4 Getting Started

#### 1 Activate Indoor Station

You are required to activate the device first by setting a strong password for it before you can use the device.

1. Power on the device. It will enter the activation page automatically.
2. Create a password and confirm it.
3. Tap OK to activate the indoor station.

#### 2 Quick Configuration

1. Choose Language and tap Next.
2. Set network parameters and tap Next.
  - Edit Local IP, Subnet Mask and Gateway parameters.
  - Enable DHCP, the device will get network parameters automatically.
3. Configure the indoor station and tap Next.
  - a. Choose Indoor Station Type.
  - b. Edit Floor and Room No.
4. Linked related devices and tap Next. If the device and the indoor station are in the same LAN, the device will be displayed in the list. Tap the device or enter the serial No. to link.
  - a. Tap the door station in the list to link.
  - b. Tap the settings icon to pop up the Network Settings page.
  - c. Edit the network parameters of the door station manually or enable DHCP to get the network parameters automatically.
  - d. Optional: Enable Synchronize Language to synchronize the Language of door station with indoor station.
  - e. Tap OK to save the settings.
5. Tap Finish to save the settings.

★ Refer to Video Intercom Indoor Station Configuration Guide (scan the QR code) for details.

★ Refer to Video Intercom Indoor Station Operation Guide (scan the QR code) for details.

## Regulatory Information

**FCC Information**  
Please take attention that changes or modification not expressly approved by the party responsible for compliance could void the user's authority to operate the equipment.  
FCC compliance: This equipment has been tested and found to comply with the limits for a Class B digital device, pursuant to part 15 of the FCC Rules. These limits are designed to provide reasonable protection against harmful interference in a residential installation. This equipment generates, uses and can radiate radio frequency energy and, if not installed and used in accordance with the instructions, may cause harmful interference to radio communications. However, there is no guarantee that interference will not occur in a particular installation. If this equipment does cause harmful interference to radio or television reception, which can be determined by turning the equipment off and on, the user is encouraged to try to correct the interference by one or more of the following measures:  
—Reorient or relocate the receiving antenna.  
—Increase the separation between the equipment and receiver.  
—Connect the equipment into an outlet on a circuit different from that to which the receiver is connected.  
—Consult the dealer or an experienced radio/TV technician for help.

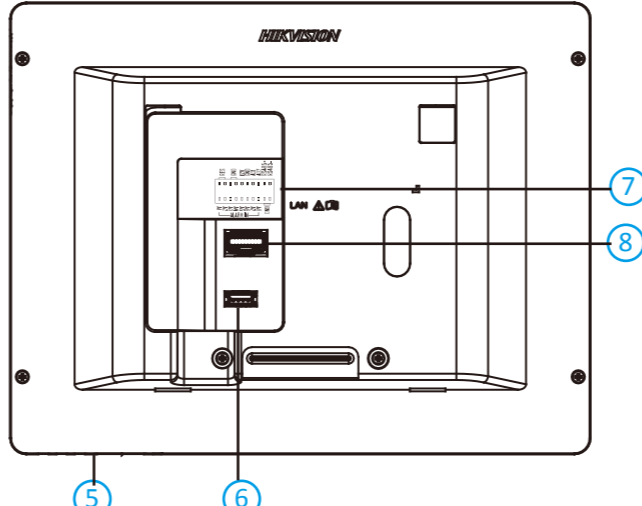
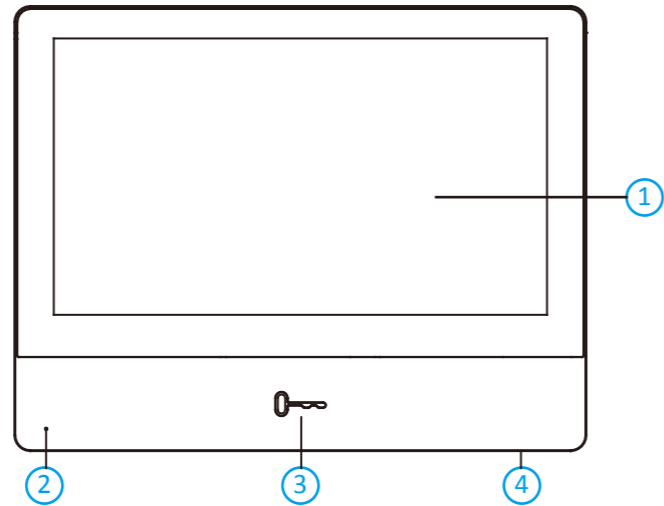
**FCC Conditions**  
This device complies with part 15 of the FCC Rules. Operation is subject to the following two conditions:  
1. This device must not cause harmful interference.  
2. This device must accept any interference received, including interference that may cause undesired operation.

**CE** This product and - if applicable - the supplied accessories too are marked with "CE" and comply therefore with the applicable harmonized European standards listed under the RE Directive 2014/53/EU, the EMC Directive 2014/30/EU, the LVD Directive 2014/35/EU, the RoHS Directive 2011/65/EU

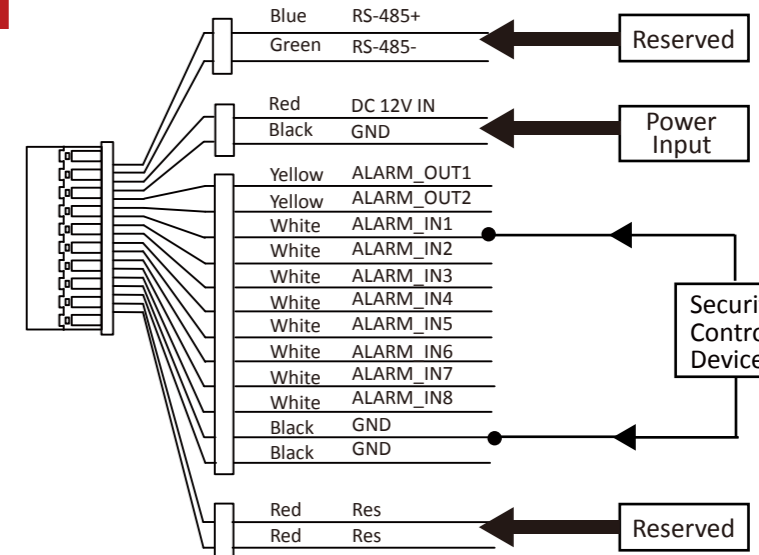
**2012/19/EU (WEEE directive):** Products marked with this symbol cannot be disposed of as unsorted municipal waste in the European Union. For proper recycling, return this product to your local supplier upon the purchase of equivalent new equipment, or dispose of it at designated collection points. For more information see: [www.recyclethis.info](http://www.recyclethis.info)

**2006/66/EC (battery directive):** This product contains a battery that cannot be disposed of as unsorted municipal waste in the European Union. See the product documentation for specific battery information. The battery is marked with this symbol, which may include lettering to indicate cadmium (Cd), lead (Pb), or mercury (Hg). For proper recycling, return the battery to your supplier or to a designated collection point. For more information see: [www.recyclethis.info](http://www.recyclethis.info)

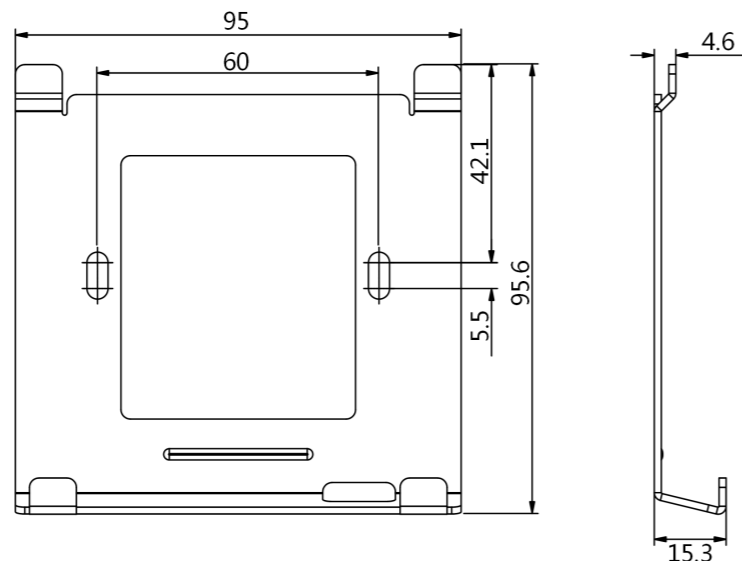
1



2

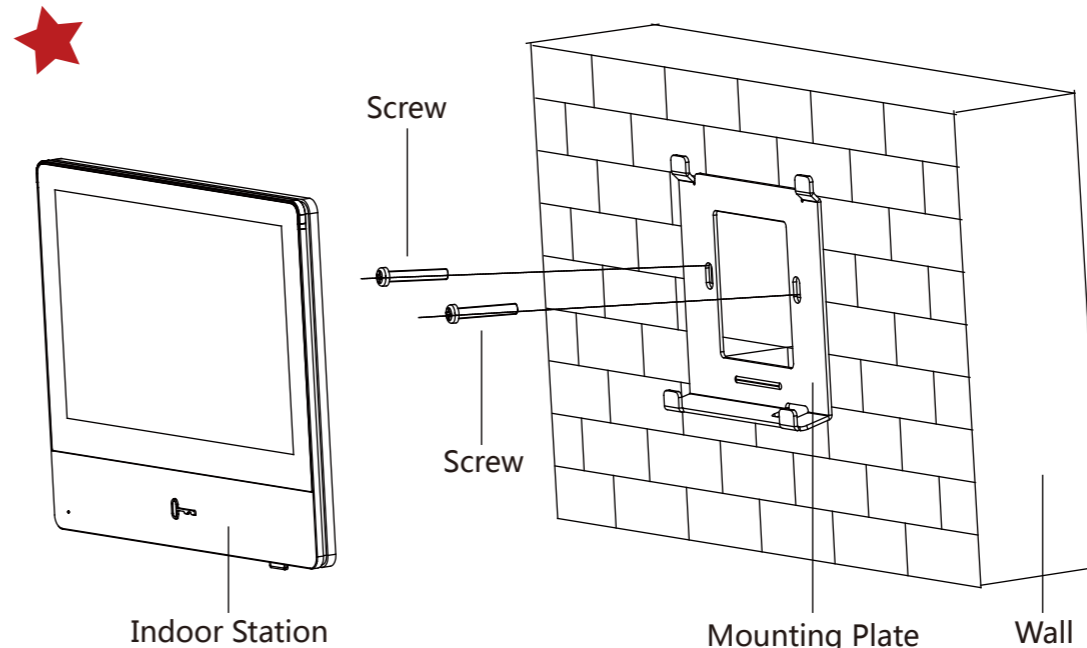


3



Unit : mm

3



## Product Information

©2020 Hangzhou Hikvision Digital Technology Co., Ltd. It includes instructions on how to use the Product. The software embodied in the Product is governed by the user license agreement covering that Product. About this Manual This Manual is subject to domestic and international copyright protection. Hangzhou Hikvision Digital Technology Co., Ltd. ("Hikvision") reserves all rights to this manual. This manual cannot be reproduced, changed, translated, or distributed, partially or wholly, by any means, without the prior written permission of Hikvision. Trademarks HIKVISION and other Hikvision marks are the property of Hikvision and are registered trademarks or the subject of applications for the same by Hikvision and/or its affiliates. Other trademarks mentioned in this manual are the properties of their respective owners. No right of license is given to use such trademarks without express permission. Legal Disclaimer TO THE MAXIMUM EXTENT PERMITTED BY APPLICABLE LAW, THE PRODUCT DESCRIBED, WITH ITS HARDWARE, SOFTWARE AND FIRMWARE, IS PROVIDED "AS IS", WITH ALL FAULTS AND ERRORS, AND HIKVISION MAKES NO WARRANTIES, EXPRESS OR IMPLIED, INCLUDING WITHOUT LIMITATION, MERCHANTABILITY, SATISFACTORY QUALITY, FITNESS FOR A PARTICULAR PURPOSE, AND NON-INFRINGEMENT OF THIRD PARTY. IN NO EVENT WILL HIKVISION, ITS DIRECTORS, OFFICERS, EMPLOYEES, OR AGENTS BE LIABLE TO YOU FOR ANY SPECIAL, CONSEQUENTIAL, INCIDENTAL, OR INDIRECT DAMAGES, INCLUDING, AMONG OTHERS, DAMAGES FOR LOSS OF BUSINESS PROFITS, BUSINESS INTERRUPTION, OR LOSS OF DATA OR DOCUMENTATION, IN CONNECTION WITH THE USE OF THIS PRODUCT, EVEN IF HIKVISION HAS BEEN ADVISED OF THE POSSIBILITY OF SUCH DAMAGES. REGARDING TO THE PRODUCT WITH INTERNET ACCESS, THE USE OF PRODUCT SHALL BE WHOLLY AT YOUR OWN RISKS. HIKVISION SHALL NOT TAKE ANY RESPONSIBILITIES FOR ABNORMAL OPERATION, PRIVACY LEAKAGE OR OTHER DAMAGES RESULTING FROM CYBER ATTACK, HACKER ATTACK, VIRUS INSPECTION, OR OTHER INTERNET SECURITY RISKS; HOWEVER, HIKVISION WILL PROVIDE TIMELY TECHNICAL SUPPORT IF REQUIRED. SURVEILLANCE LAWS VARY BY JURISDICTION. PLEASE CHECK ALL RELEVANT LAWS IN YOUR JURISDICTION BEFORE USING THIS PRODUCT IN ORDER TO ENSURE THAT YOUR USE CONFORMS THE APPLICABLE LAW. HIKVISION SHALL NOT BE LIABLE IN THE EVENT THAT THIS PRODUCT IS USED WITH ILLEGITIMATE PURPOSES. IN THE EVENT OF ANY CONFLICTS BETWEEN THIS MANUAL AND THE APPLICABLE LAW, THE LATER PREVAILS. Data Protection During the use of device, personal data will be collected, stored and processed. To protect data, the development of Hikvision devices incorporates privacy by design principles. For example, for device with facial recognition features, biometrics data is stored in your device with encryption method; for fingerprint device, only fingerprint template will be saved, which is impossible to reconstruct a fingerprint image. As data controller, you are advised to collect, store, process and transfer data in accordance with the applicable data protection laws and regulations, including without limitation, conducting security controls to safeguard personal data, such as, implementing reasonable administrative and physical security controls, conduct periodic reviews and assessments of the effectiveness of your security controls.

## Safety Instruction

### ⚠ Warnings

- All the electronic operation should be strictly compliance with the electrical safety regulations, fire prevention regulations and other related regulations in your local region.
- Please use the power adapter, which is provided by normal company. The power consumption cannot be less than the required value.
- Do not connect several devices to one power adapter as adapter overload may cause over-heat or fire hazard.
- Please make sure that the power has been disconnected before you wire, install or dismantle the device.
- When the product is installed on wall or ceiling, the device shall be firmly fixed.
- If smoke, odors or noise rise from the device, turn off the power at once and unplug the power cable, and then please contact the service center.
- If the product does not work properly, please contact your dealer or the nearest service center. Never attempt to disassemble the device yourself. (We shall not assume any responsibility for problems caused by unauthorized repair or maintenance.)

### ⚠ Cautions

- Do not drop the device or subject it to physical shock, and do not expose it to high electromagnetic radiation. Avoid the equipment installation on vibrations surface or places subject to shock (ignorance can cause equipment damage).
- Do not place the device in extremely hot (refer to the specification of the device for the detailed operating temperature), cold, dusty or damp locations, and do not expose it to high electromagnetic radiation.
- The device cover for indoor use shall be kept from rain and moisture.
- Exposing the equipment to direct sun light, low ventilation or heat source such as heater or radiator is forbidden (ignorance can cause fire danger).
- Do not aim the device at the sun or extra bright places. A blooming or smear may occur otherwise (which is not a malfunction however), and affecting the endurance of sensor at the same time.
- Please use the provided glove when open up the device cover, avoid direct contact with the device cover, because the acidic sweat of the fingers may erode the surface coating of the device cover.
- Please use a soft and dry cloth when clean inside and outside surfaces of the device cover, do not use alkaline detergents.
- Please keep all wrappers after unpack them for future use. In case of any failure occurred, you need to return the device to the factory with the original wrapper. Transportation without the original wrapper may result in damage on the device and lead to additional costs.
- Improper use or replacement of the battery may result in hazard of explosion. Replace with the same or equivalent type only. Dispose of used batteries according to the instructions provided by the battery manufacturer.

## Consignes de sécurité

### ⚠ Avertissements :

- Tous les éléments électroniques doivent respecter à la lettre la réglementation locale sur la sécurité des installations électriques, sur la prévention des incendies et des réglementations connexes en vigueur.
  - Utilisez un adaptateur fourni par une entreprise agréée. La consommation électrique ne doit pas être inférieure à la valeur exigée.
  - Ne branchez pas plusieurs appareils sur un même adaptateur ; toute surcharge de l'adaptateur pouvant entraîner sa surchauffe ou provoquer un incendie.
  - Veillez à bien déconnecter la source d'alimentation avant de câbler, installer ou démonter l'appareil.
  - Lors de l'installation au mur ou au plafond, assurez-vous que l'appareil est bien fixé.
  - Si l'appareil dégage de la fumée ou une odeur suspecte, ou s'il émet des bruits inhabituels, éteignez-le et débranchez le câble d'alimentation, puis contactez le SAV.
  - Si le produit ne fonctionne pas correctement, contactez votre revendeur ou le SAV le plus proche. Vous ne devez en aucun cas essayer de démonter le produit vous-même. (Nous déclinons toute responsabilité en cas de problèmes découlant d'une intervention ou d'une réparation effectuée sans autorisation.)
- ### ⚠ Précautions
- Évitez de faire tomber l'appareil, de le heurter et de l'exposer à des rayonnements électromagnétiques de forte intensité. Évitez d'installer l'équipement sur des surfaces vibrantes ou à des emplacements subissant des chocs fréquents (au risque de l'endommager).
  - N'installez pas l'appareil à un emplacement trop chaud ou trop froid (reportez-vous à la spécification de l'appareil pour connaître la température de fonctionnement précise), poussiéreux ou humide. Ne l'exposez pas non plus à des rayonnements électromagnétiques élevés.
  - Le capot de l'appareil pour installation intérieure ne doit pas être exposé à la pluie, ni à l'humidité.
  - Il est formellement interdit d'exposer l'équipement directement au soleil, à un environnement mal ventilé ou à une source de chaleur telle qu'une chaudière ou un radiateur (au risque de provoquer un incendie).
  - N'orientez pas l'appareil vers le soleil ou des sources de lumière très vive. Dans le cas contraire, un voile ou des traînées risquent de se former (ce qui ne constitue toutefois pas un dysfonctionnement) et la résistance du capteur peut également être affectée.
  - Utilisez le gant fourni pour ouvrir le capot du dôme et évitez tout contact direct avec celui-ci, l'acidité de la sudation des doigts pouvant éroder le revêtement du capot de l'appareil.
  - Utilisez un chiffon doux et sec pour nettoyer les surfaces intérieures et extérieures du capot de l'appareil. N'utilisez pas de détergents alcalins.
  - Conservez tous les emballages ; ils pourront vous resservir ultérieurement. En cas de panne, renvoyez l'appareil à l'usine dans son emballage d'origine. Si l'appareil est transporté hors de son emballage d'origine, il risque d'être abîmé, entraînant des frais supplémentaires.
  - Une mauvaise utilisation de la batterie ou un remplacement erroné peut entraîner un risque d'explosion. Ne la remplacez que par une batterie identique ou de type équivalent. Mettez les batteries usagées au rebut conformément aux instructions du fabricant.

### Diagram References

#### 1 Installation

##### Installation Environment

Indoor and outdoor installation are supported. If installing the device indoors, the device should be at least 2 meters away from the light, and at least 3 meters away from the window or the door. If installing the device outdoors, you should apply Silicone sealant among the cable wiring area to keep the raindrop from entering. Note: The additional force shall be equal to three times the weight of the equipment but not less than 50N. The equipment and its associated mounting means shall remain secure during the installation. After the installation, the equipment, including any associated mounting plate, shall not be damaged.

##### Wall Mounting

1. Make sure the gang box is installed on the wall.
  2. Use 2 supplied screws (SC-K1M4x6-SUS) to secure the base plate on the gang box. Route the cables through the cable hole of the mounting plate, and connect to the corresponding external devices' cables.
  3. Use another 4 supplied screws (KA4x22-SUS) to secure the mounting plate on the base plate.
  4. Note: Apply Silicone sealant among the cable wiring area to keep the raindrop from entering.
  5. Align the device with the mounting plate and hang the terminal on the mounting plate.
  6. Use 1 supplied screw (SC-KM3x6-H2-SUS) to secure the device and the mounting plate.
  7. Apply Silicone sealant among the joints between the device rear panel and the wall (except the lower side) to keep the raindrop from entering.
- Note: You can also install the device on the wall or other places without the gang box. For details, refer to the User Manual.

#### 2 Appearance

- ① Loudspeaker
- ② MicroUSB Interface
- ③ Camera
- ④ IR Light
- ⑤ Microphone
- ⑥ Card Presenting Area
- ⑦ White Light
- ⑧ IR Light
- ⑨ Screen
- ⑩ Fingerprint Module
- ⑪ Network Interface
- ⑫ Wiring Terminal
- ⑬ Tamper
- ⑭ Debugging Port

This sticker means "Hot parts! Burned fingers when handling the parts. Wait one-half hour after switching off before handling parts." It is to indicate that the marked item can be hot and should not be touched without taking care. For device with this sticker, this device is intended for installation in a restricted access location, access can only be gained by service persons or by users who have been instructed about the reasons for the restrictions applied to the location and about any precautions that shall be taken.

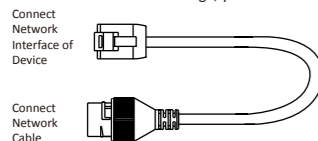
Note: The debugging port is used for debugging only.

#### 3 Wiring Description

##### 3.1 Device Wiring

###### Notes:

- When connecting door magnetic sensor and exit button, the device and the RS-485 card reader should use the common ground connection.
- The Wiegand terminal here is a Wiegand input terminal. You should set the face recognition terminal's Wiegand direction to "Input". If you should connect to an access controller, you should set the Wiegand direction to "Output". For details, see Setting Wiegand Parameters in Communication Settings in the user manual.
- The suggested external power supply for door lock is 12 V, 1A.
- The suggested external power supply for Wiegand card reader is 12 V, 1 A.
- For wiring the fire module, see the user manual.
- If the interface for network connection is too large, you can use the supplied cable as shown below.



Use only power supplies listed in the user instructions: Make sure the power supply is used indoors, and the working temperature is between 0 and 40 °C.

Model	Manufacture	Standard
ADS-26FSG-12 12024EPG	Shenzhen Honor Electronic Co.,Ltd	PG
MSA-C2000IC12.0-24P-DE	MOSO Technology Co.,Ltd	PDE
ADS-26FSG-12 12024EPB	Shenzhen Honor Electronic Co.,Ltd	PB
ADS-26FSG-12 12024EPCU/EPC	Shenzhen Honor Electronic Co.,Ltd	PCU
ADS-26FSG-12 12024EPI-01	Shenzhen Honor Electronic Co.,Ltd	PI
ADS-26FSG-12 12024EPBR	Shenzhen Honor Electronic Co.,Ltd	PBR

##### 3.2 Device Wiring with Secure Door Control Unit

Note: The secure door control unit should connect to an external power supply separately. The suggested external power supply is 12 V, 0.5 A.

#### 4 Activation

Power on and wire the network cable after installation. You should activate the device before the first login. If the device is not activated yet, it will enter the Activate Device page after powering on.

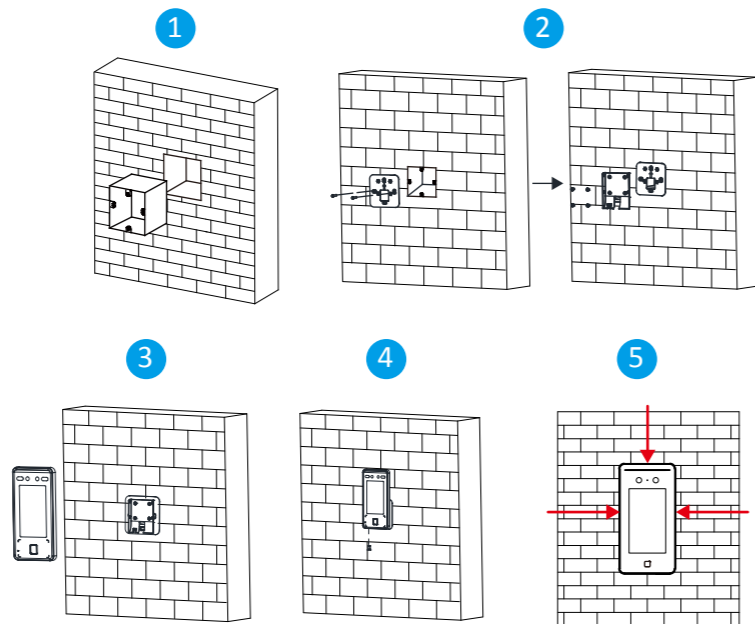
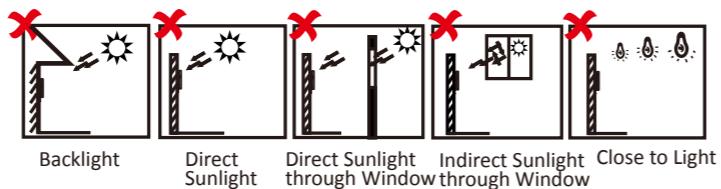
1. Create a password and confirm the password.
2. Tap Activate to activate the device.

Note: For other activation methods, see the device user manual.

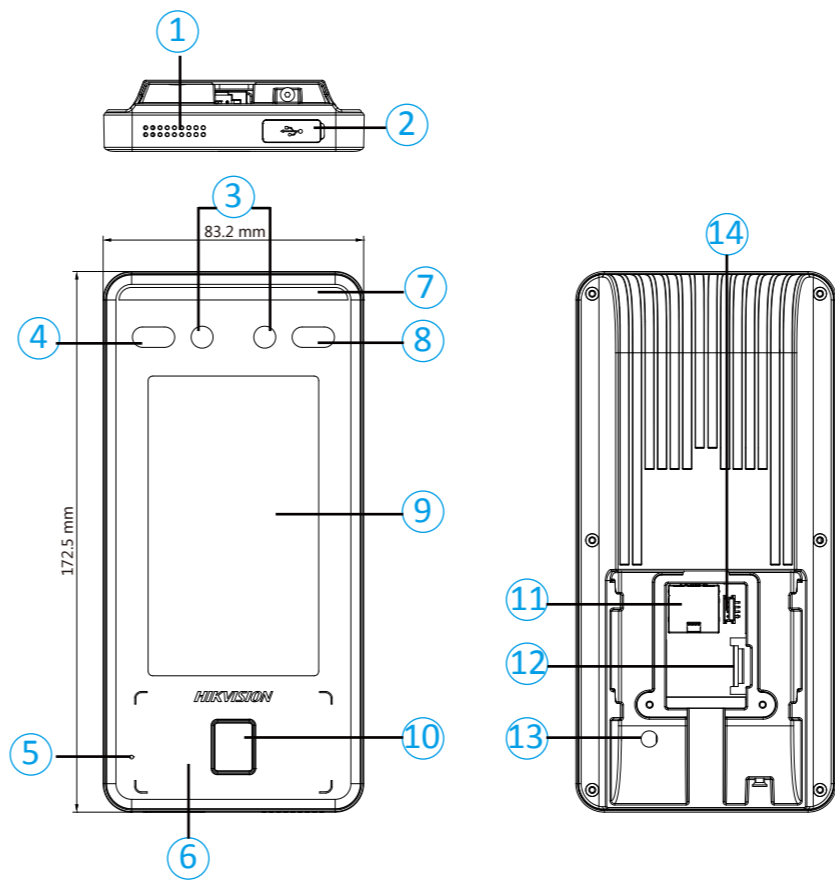
##### STRONG PASSWORD RECOMMENDED-

We highly recommend you create a strong password of your own choosing (using a minimum of 8 characters, including upper case letters, lower case letters, numbers, and special characters) in order to increase the security of your product. And we recommend you reset your password regularly, especially in the high security system, resetting the password monthly or weekly can better protect your product.

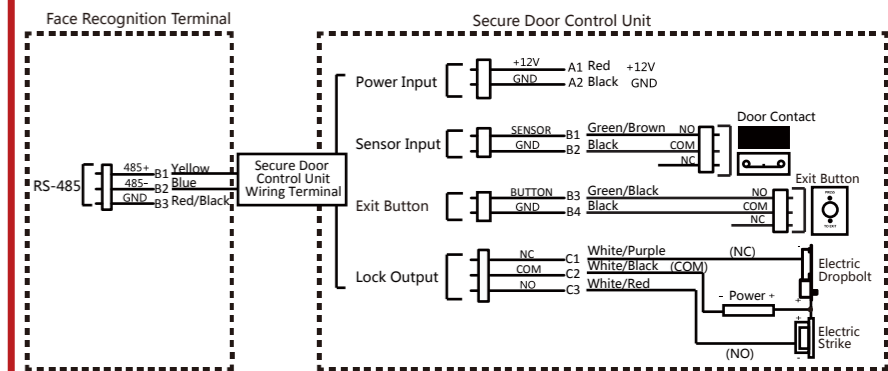
### 1



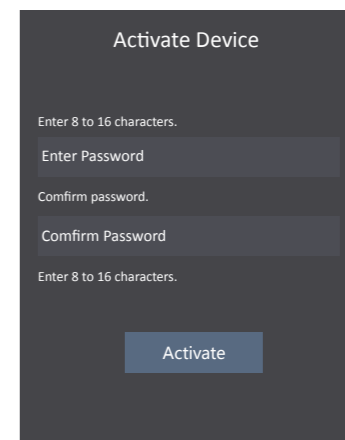
### 2



### 3.2



### 4



### 3.1

